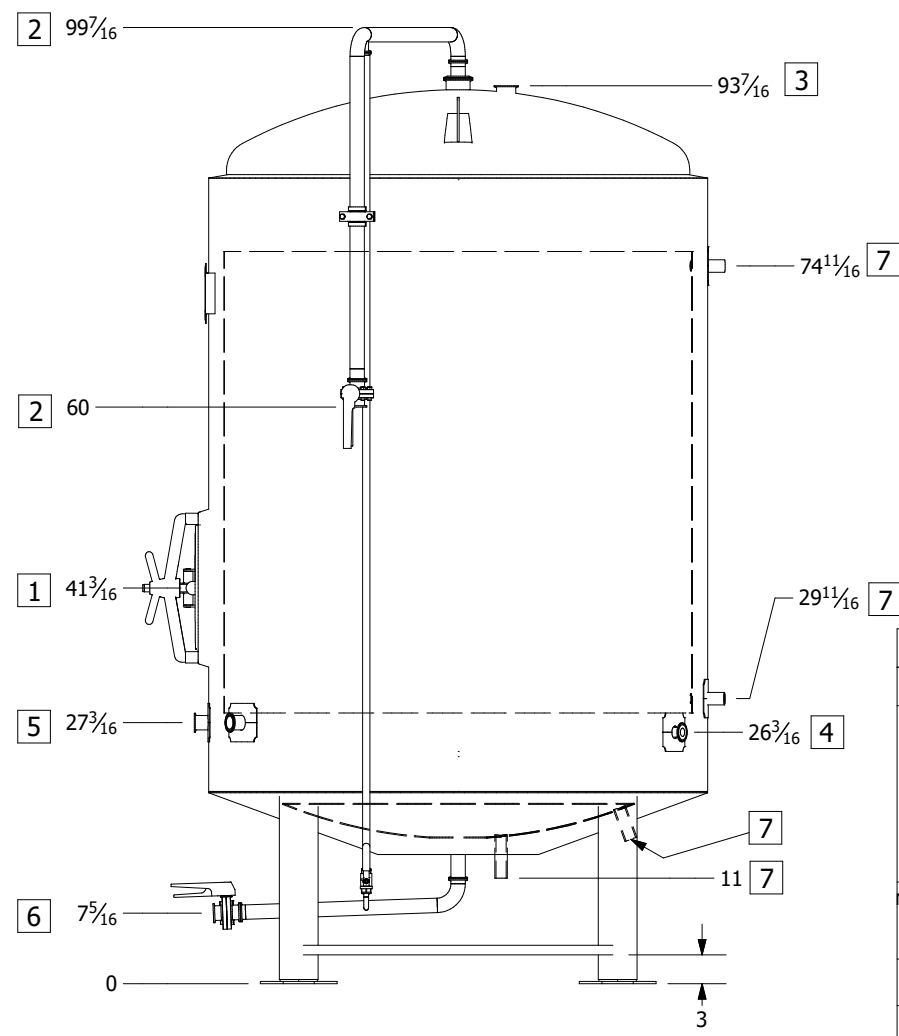
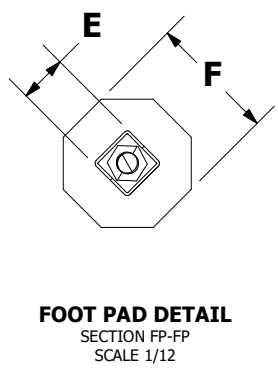
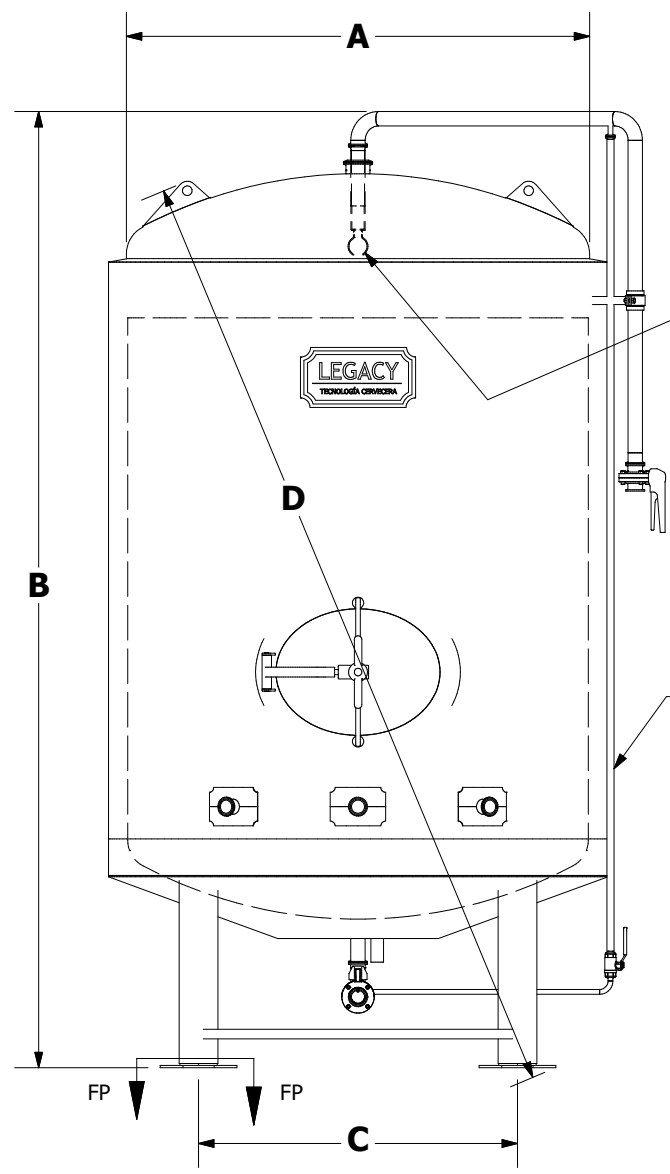
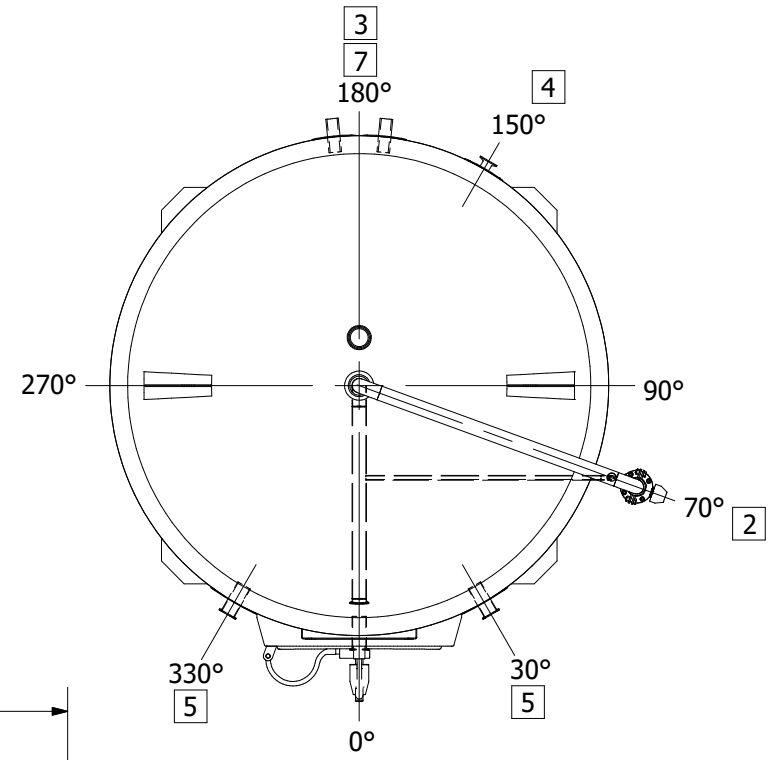


PROPRIETARY AND CONFIDENTIAL
 THE INFORMATION CONTAINED IN THIS
 DRAWING IS THE SOLE PROPERTY OF MARKS
 DESIGN AND METALWORKS, LLC. ANY
 REPRODUCTION IN PART OR AS A WHOLE
 WITHOUT THE WRITTEN PERMISSION OF
 MARKS DESIGN AND METALWORKS, LLC IS
 PROHIBITED.

DIMENSIONS									
BBL	A	B	C	D	E	F	WEIGHT (EMPTY)	WEIGHT (WORKING)	WEIGHT (FULL)
15	Ø48"	99-1/2"	33-1/4"	100"	3"	8"	800	2,100	2,350
20	Ø50"	114-7/8"	34-13/16"	114-7/8"	3"	8"	1,500 LBS	6,700 LBS	7,700 LBS
30	Ø57"	129-3/4"	39-7/16"	129-11/16"	3"	8"	1,900 LBS	9,700 LBS	11,250 LBS
40	Ø63"	139-3/16"	43-11/16"	139-5/8"	3"	8"	2,300 LBS	12,650 LBS	14,700 LBS
60	Ø70"	165-7/8"	48-1/4"	166-1/8"	4"	8"	2,900 LBS	18,400 LBS	21,550 LBS

REVISION HISTORY				
REV	DESCRIPTION	DATE	REV ID	APPROVED
A	INITIAL	6/11/2022	D.G.	



FEATURES							
IDENTIFIER	SERVICE	QTY	LOCATION	NECK SIZE	NECK TYPE	CONNECTION SIZE	CONNECTION TYPE
1	MANWAY	1	SHELL SIDEWALL	17" X 21"	OVAL	N/A	N/A
2	CIP	1	TOP HEAD	1-1/2"	TUBE	1-1/2"	TC
3	PVRV	1	TOP HEAD	2"	N/A	2"	TC
4	THERMOWELL	1	SHELL SIDEWALL	1"	TUBE	1"	TC
5	TC PORT	3	SHELL SIDEWALL	1-1/2"	TUBE	1-1/2"	TC
6	DRAIN	1	BOTTOM HEAD	1-1/2"	TUBE	1-1/2"	TC
7	GLYCOL	2/ZONE	JACKET	1"	PIPE	1"	MNPT

UNLESS OTHERWISE SPECIFIED:		NAME	DATE		TITLE: LEGACY, 15 BBL - 60 BBL BBT	S/N#
DIMENSIONS ARE IN INCHES		AUTHOR	6/11/2022			
TOLERANCES		CHECKED				
Fractional: 1/8" Angular: ±1° Bend ±2° 1 Decimal (.x): ±0.1" 2 Decimal (.0x): ±0.03" 3 Decimal (.00x): ±0.005"		ENG APPR.				
MACHINE FINISH		MFG APPR.		COMMENTS:	DSC. IMPORT TANKS	SIZE B
PROJECTION		Q.A.				
MATERIAL:				DWG.	REV A	
FINISH:						
DO NOT SCALE DRAWING				SCALE: DO NOT SCALE	WEIGHT: N/A	SHEET 1 of 2