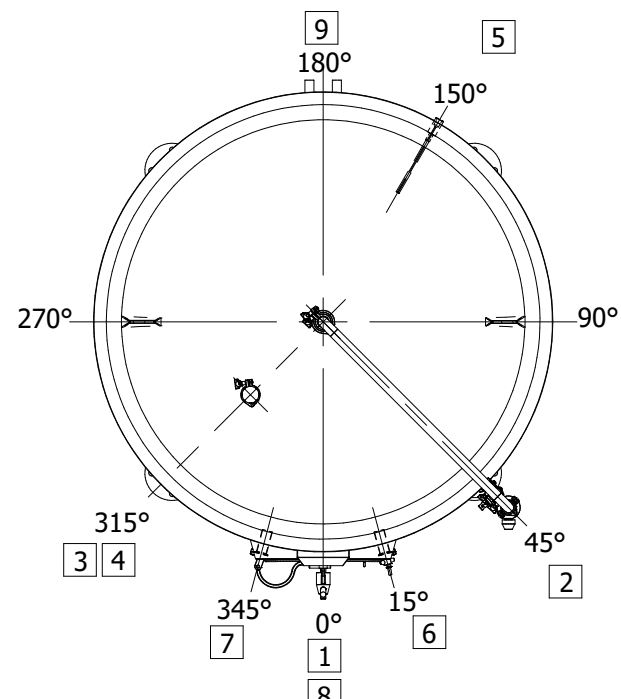
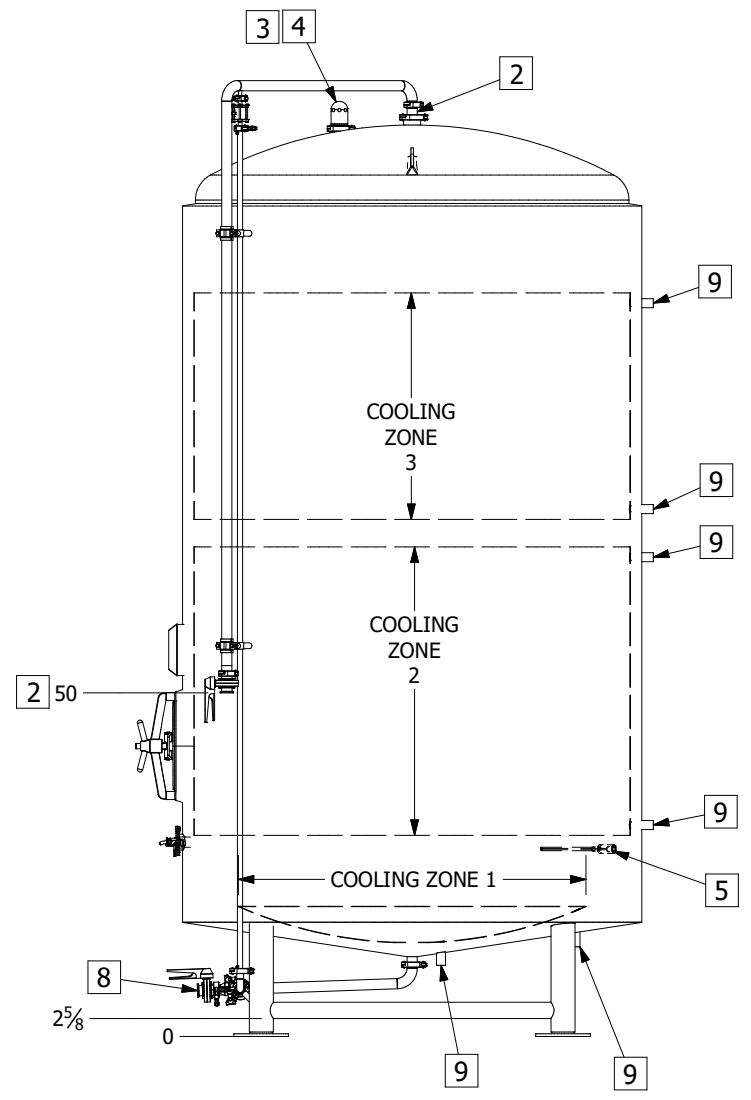
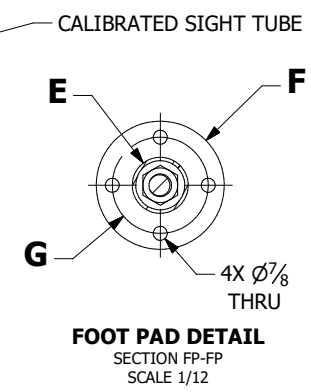
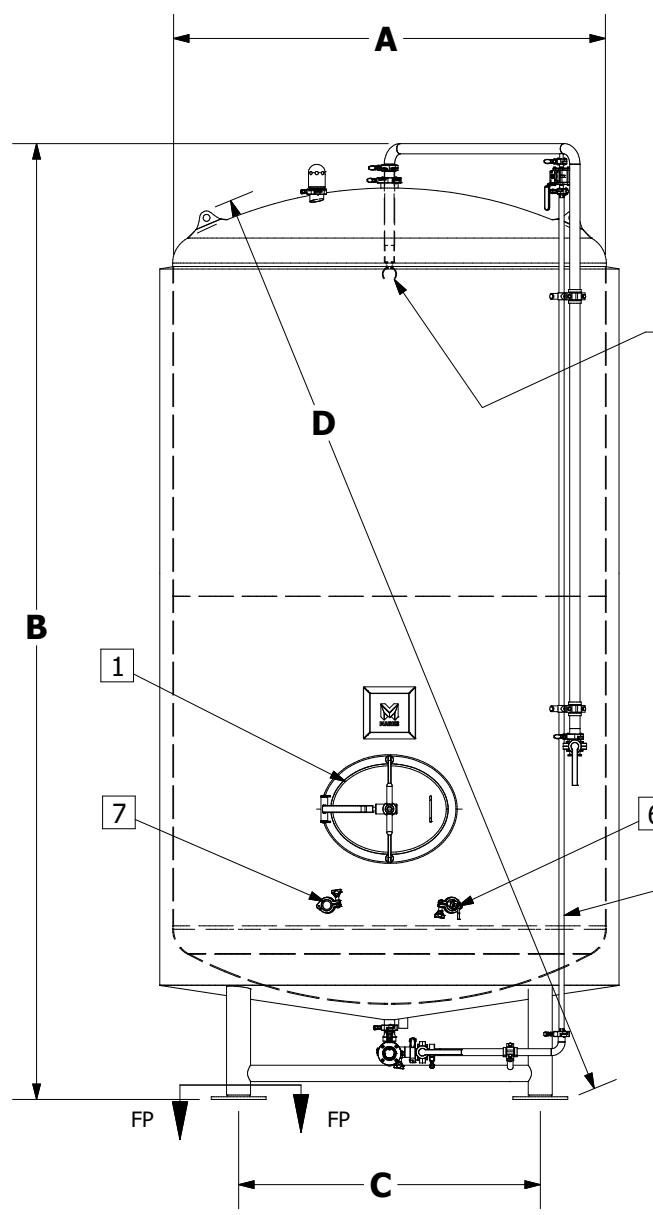


PROPRIETARY AND CONFIDENTIAL
 THE INFORMATION CONTAINED IN THIS DRAWING IS THE SOLE PROPERTY OF MARKS DESIGN AND METALWORKS, LLC. ANY REPRODUCTION IN PART OR AS A WHOLE WITHOUT THE WRITTEN PERMISSION OF MARKS DESIGN AND METALWORKS, LLC IS PROHIBITED.



DIMENSIONS											
BBL	A	B	C	D	E	F	G	DRAIN SIZE	WEIGHT (EMPTY)	WEIGHT (WORKING)	WEIGHT (FULL)
20	Ø50"	114-7/8"	34-13/16"	114-7/8"	Ø3-1/2"	Ø8"	Ø8"	1-1/2"	1,500 LBS	6,700 LBS	7,700 LBS
30	Ø57"	129-3/4"	39-7/16"	129-11/16"	Ø3-1/2"	Ø8"	Ø8"	1-1/2"	1,900 LBS	9,700 LBS	11,250 LBS
40	Ø63"	139-3/16"	43-11/16"	139-5/8"	Ø3-1/2"	Ø8"	Ø8"	1-1/2"	2,300 LBS	12,650 LBS	14,700 LBS
60	Ø70"	165-7/8"	48-1/4"	166-1/8"	Ø4-1/2"	Ø10"	Ø8"	1-1/2"	2,900 LBS	18,400 LBS	21,550 LBS
80	Ø80"	169-7/16"	55-5/16"	172-5/8"	Ø4-1/2"	Ø10"	Ø8"	1-1/2"	3,500 LBS	24,100 LBS	28,400 LBS
90	Ø84"	172-13/16"	56-11/16"	176-11/16"	Ø6-5/8"	Ø12"	Ø9-1/8"	2"	3,800 LBS	27,050 LBS	31,700 LBS
100	Ø88"	175"	59-1/2"	179-5/8"	Ø6-5/8"	Ø12"	Ø9-1/8"	2"	4,050 LBS	29,900 LBS	35,000 LBS

REVISION HISTORY				
REV	DESCRIPTION	DATE	REV ID	APPROVED
A	INITIAL	08/11/2021	D.G.	
B	ADD 90BBL & 100BBL	9/20/2021	D.G.	
C	ADDED DOCUMENT REFERENCE	1/28/2022	D.G.	



FEATURES							
IDENTIFIER	SERVICE	QTY	LOCATION	NECK SIZE	NECK TYPE	CONNECTION SIZE	CONNECTION TYPE
1	MANWAY	1	SHELL SIDEWALL	17" X 21"	OVAL	N/A	N/A
2	CIP	1	TOP HEAD	1-1/2"	TUBE	1-1/2"	TC
3	CO2	1	TOP HEAD	1-1/2"	TUBE	2"	TC
4	PVRV	1	TOP HEAD	2"	N/A	2"	TC
5	THERMOWELL	1	SHELL SIDEWALL	1"	PIPE	1/2"	FNPT
6	SAMPLE	1	SHELL SIDEWALL	1-1/2"	TUBE	1-1/2"	TC
7	CARB	1	SHELL SIDEWALL	1-1/2"	TUBE	1-1/2"	TC
8	DRAIN	1	BOTTOM DISH	SEE TABLE ABOVE	TUBE	SEE TABLE ABOVE	TC
9	GLYCOL	2/ZONE	JACKET	1"	PIPE	1"	MNPT

REFERENCE DOCUMENT PACKAGE: 10009

UNLESS OTHERWISE SPECIFIED:		NAME	DATE
DIMENSIONS ARE IN INCHES		AUTHOR	D.GUTHRIE
TOLERANCES		CHECKED	1/28/2022
Fractional: 1/8"		ENG APPR.	
Angular ±1° Bend ±2°		MFG APPR.	
1 Decimal (.x): ±0.1"		Q.A.	
2 Decimal (.0x): ±0.03"		COMMENTS:	
3 Decimal (.00x): ±0.005"			
MACHINE FINISH	PROJECTION		
MATERIAL:			
FINISH:			
DO NOT SCALE DRAWING			

TITLE: TWO RING BRITE BEER TANK

S/N#

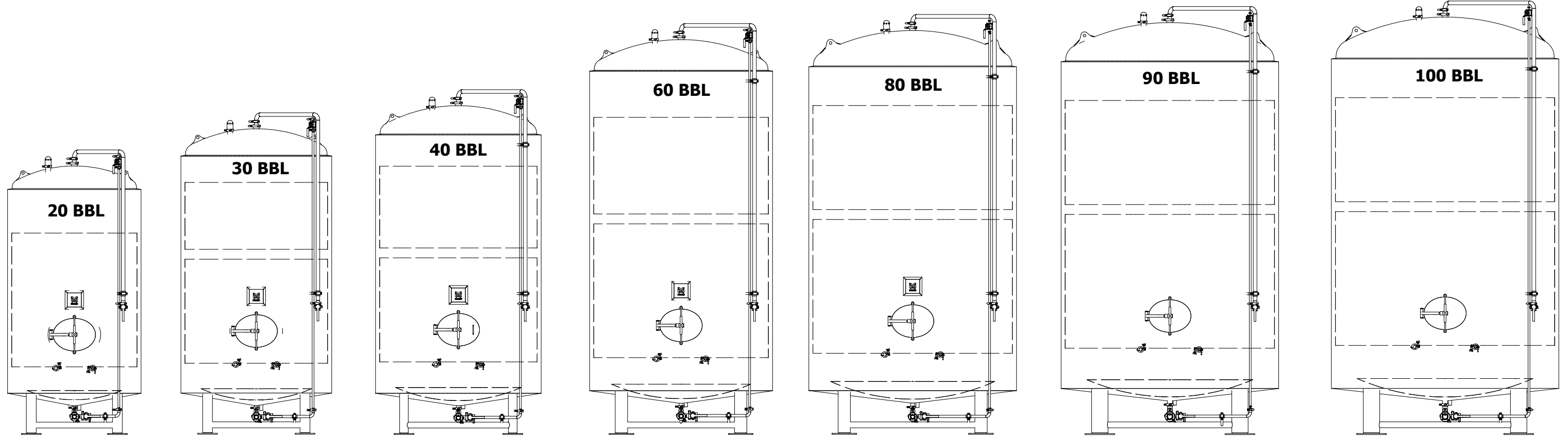
DWG. D200020 - D200100

SCALE: DO NOT SCALE

WEIGHT: N/A

SHEET 1 of 2

PROPRIETARY AND CONFIDENTIAL
 THE INFORMATION CONTAINED IN THIS
 DRAWING IS THE SOLE PROPERTY OF MARKS
 DESIGN AND METALWORKS, LLC. ANY
 REPRODUCTION IN PART OR AS A WHOLE
 WITHOUT THE WRITTEN PERMISSION OF
 MARKS DESIGN AND METALWORKS, LLC IS
 PROHIBITED.



*COOLING ZONES SHOWN WITH HIDDEN LINES

UNLESS OTHERWISE SPECIFIED:		NAME	DATE
DIMENSIONS ARE IN INCHES		AUTHOR	D.GUTHRIE
TOLERANCES		CHECKED	1/28/2022
Fractional: 1/8"		ENG APPR.	
Angular ±1° Bend ±2°		MFG APPR.	
1 Decimal (.x): ±0.1"		Q.A.	
2 Decimal (.0x): ±0.03"		COMMENTS:	
3 Decimal (.00x): ±0.005"			
MACHINE FINISH	PROJECTION		
MATERIAL:			
FINISH:			
DO NOT SCALE DRAWING			



TITLE:		S/N#
TWO RING BRITE BEER TANK		
DSC.	TANK LINEUP	SIZE B
DWG.	D200020 - D200100	REV
SCALE: DO NOT SCALE	WEIGHT: N/A	SHEET 2 of 2