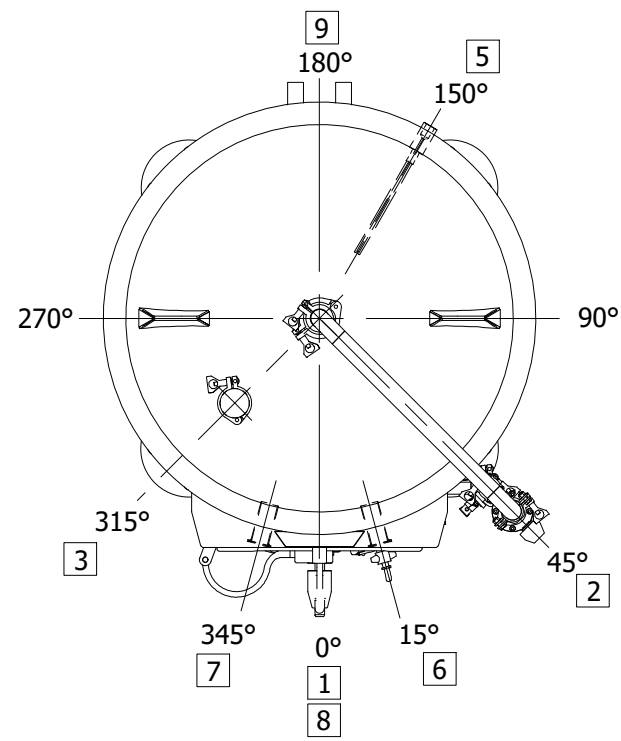
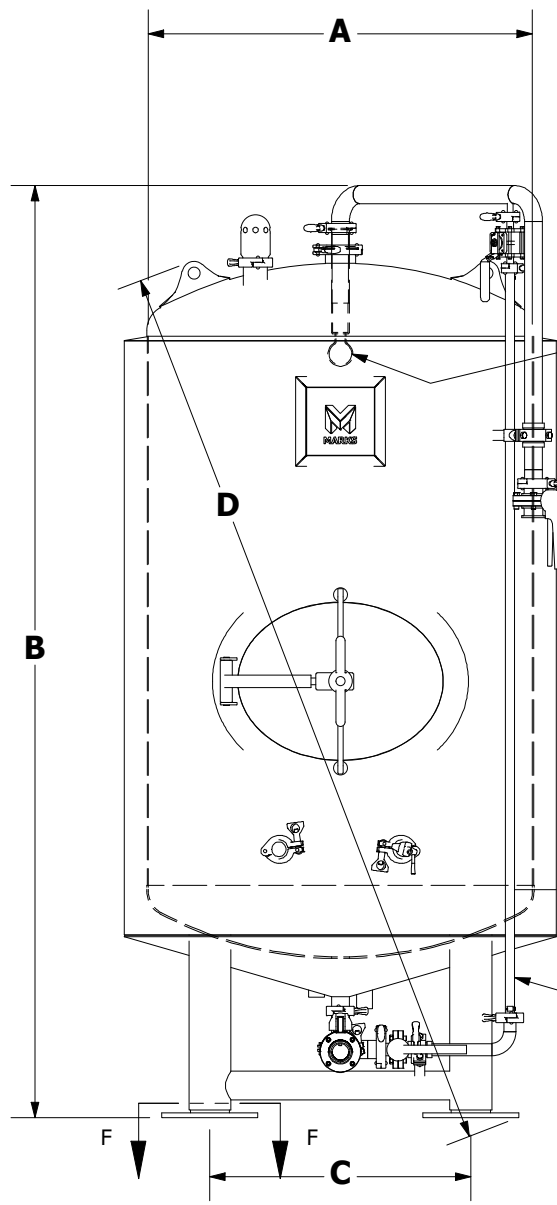


PROPRIETARY AND CONFIDENTIAL
 THE INFORMATION CONTAINED IN THIS
 DRAWING IS THE SOLE PROPERTY OF MARKS
 DESIGN AND METALWORKS, LLC. ANY
 REPRODUCTION IN PART OR AS A WHOLE
 WITHOUT THE WRITTEN PERMISSION OF
 MARKS DESIGN AND METALWORKS, LLC IS
 PROHIBITED.



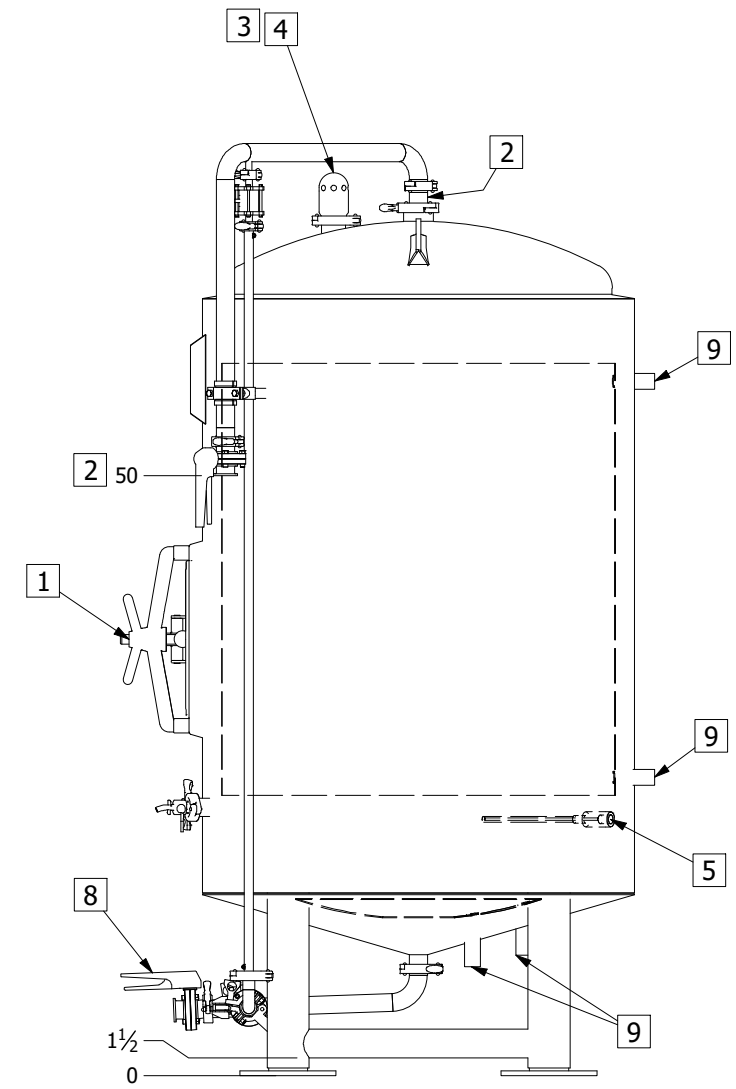
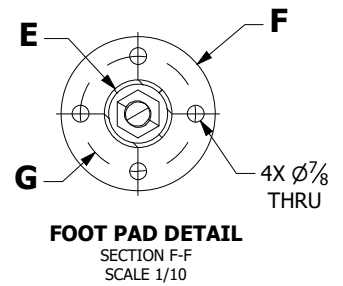
DIMENSIONS											
BBL	A	B	C	D	E	F	G	DRAIN SIZE	WEIGHT (EMPTY)	WEIGHT (WORKING)	WEIGHT (FULL)
5	Ø32"	77-5/8"	21-3/4"	71-5/16"	Ø3"	Ø8"	Ø6"	1-1/2"	800	2,100	2,350
7	Ø37"	81-1/2"	25-1/4"	80-7/8"	Ø3"	Ø8"	Ø6"	1-1/2"	900	2,700	3,100
10	Ø42"	90-3/16"	28-3/16"	89-15/16"	Ø3"	Ø8"	Ø6"	1-1/2"	1,000	3,600	4,100
15	Ø48"	99-5/8"	33-1/16"	100"	Ø3"	Ø8"	Ø6"	1-1/2"	1,250	5,150	5,950

REVISION HISTORY				
REV	DESCRIPTION	DATE	REV ID	APPROVED
A	INITIAL		D.G.	



360° ROTATING SPRAYBALL
 2" BALL

CALIBRATED SIGHT TUBE



FEATURES							
IDENTIFIER	SERVICE	QTY	LOCATION	NECK SIZE	NECK TYPE	CONNECTION SIZE	CONNECTION TYPE
1	MANWAY	1	SHELL SIDEWALL	17" X 21"	OVAL	N/A	N/A
2	CIP	1	TOP HEAD	1-1/2"	TUBE	1-1/2"	TC
3	CO2	1	TOP HEAD	1-1/2"	TUBE	2"	TC
4	PVRV	1	TOP HEAD	2"	N/A	2"	TC
5	THERMOWELL	1	SHELL SIDEWALL	1"	PIPE	1/2"	FNPT
6	SAMPLE	1	SHELL SIDEWALL	1-1/2"	TUBE	1-1/2"	TC
7	CARB	1	SHELL SIDEWALL	1-1/2"	TUBE	1-1/2"	TC
8	DRAIN	1	BOTTOM DISH	SEE TABLE ABOVE	TUBE	SEE TABLE ABOVE	TC
9	GLYCOL	2/ZONE	JACKET	1"	PIPE	1"	MNPT

UNLESS OTHERWISE SPECIFIED:		NAME	DATE
DIMENSIONS ARE IN INCHES		AUTHOR	D.GUTHRIE
TOLERANCES		CHECKED	
Fractional: 1/8"		ENG APPR.	
Angular ±1° Bend ±2°		MFG APPR.	
1 Decimal (x): ±0.1"		Q.A.	
2 Decimal (.0x): ±0.03"		COMMENTS:	
3 Decimal (.00x): ±0.005"			
MACHINE FINISH	PROJECTION		
	⊕		
MATERIAL:			
FINISH:			
DO NOT SCALE DRAWING			

TITLE:
 SINGLE RING BRITE BEER TANK,
 SIDE MANWAY

S/N#

DSC.
 2 RING SERIES

SIZE
 B

DWG.
 D200005 - D200015

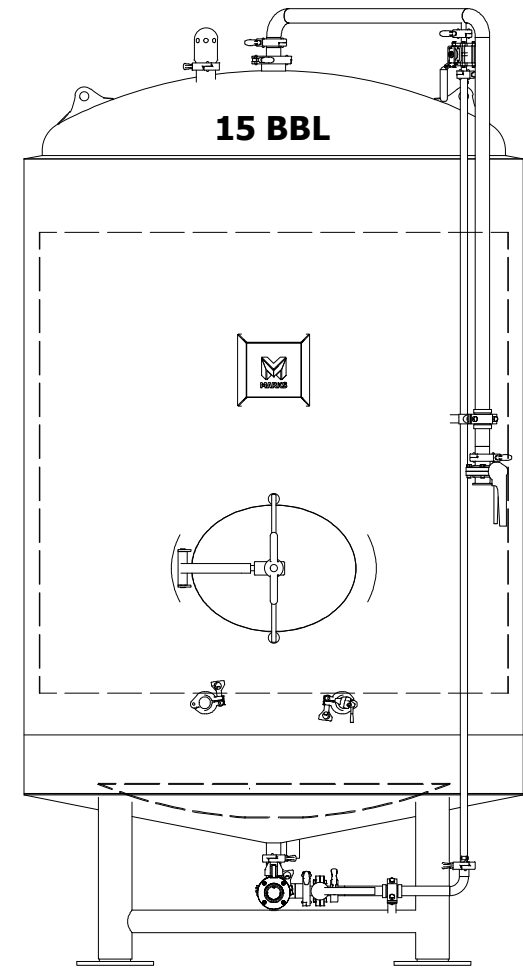
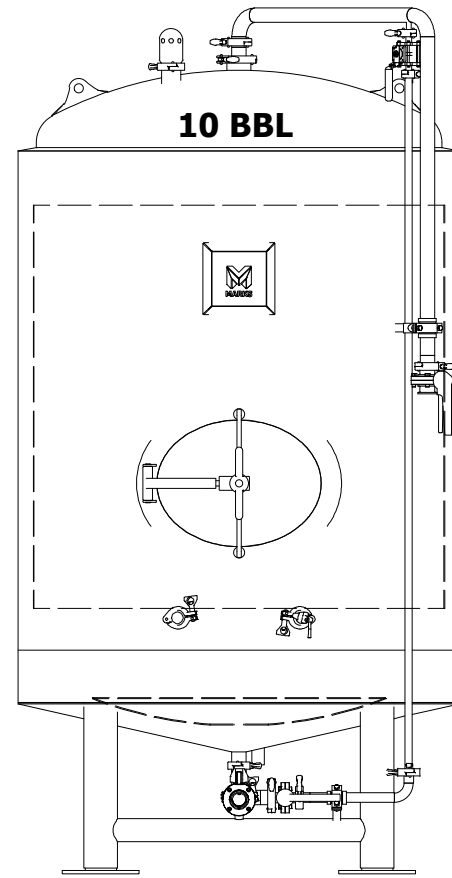
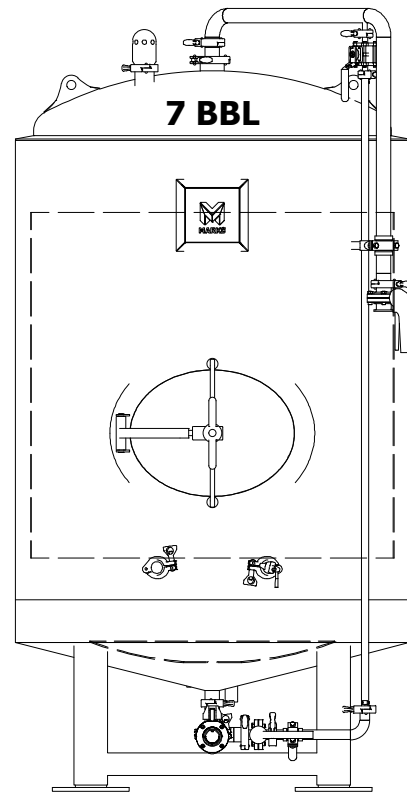
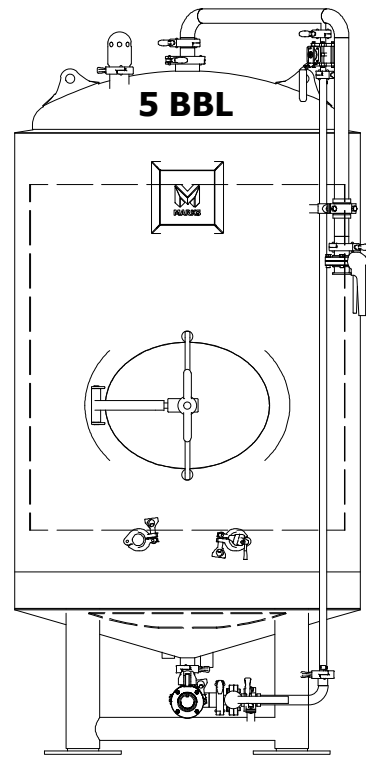
REV
 A

SCALE:
 DO NOT SCALE

WEIGHT:
 N/A

SHEET
 1 of 2

PROPRIETARY AND CONFIDENTIAL
 THE INFORMATION CONTAINED IN THIS
 DRAWING IS THE SOLE PROPERTY OF MARKS
 DESIGN AND METALWORKS, LLC. ANY
 REPRODUCTION IN PART OR AS A WHOLE
 WITHOUT THE WRITTEN PERMISSION OF
 MARKS DESIGN AND METALWORKS, LLC IS
 PROHIBITED.



*COOLING ZONES SHOWN WITH HIDDEN LINES

UNLESS OTHERWISE SPECIFIED:		NAME	DATE			
DIMENSIONS ARE IN INCHES		AUTHOR	D.GUTHRIE			
TOLERANCES		CHECKED				
Fractional: 1/8"		ENG APPR.				
Angular ±1° Bend ±2°		MFG APPR.				
1 Decimal (x): ±0.1"		Q.A.		TITLE: SINGLE RING BRITE BEER TANK, SIDE MANWAY		
2 Decimal (.0x): ±0.03"		COMMENTS:		S/N#		
3 Decimal (.00x): ±0.005"				DSC.	TANK LINEUP	SIZE B
MACHINE FINISH	PROJECTION			DWG.	D200005 - D200015	REV
MATERIAL:				SCALE:	DO NOT SCALE	WEIGHT:
FINISH:		SHEET		2 of 2		
DO NOT SCALE DRAWING						