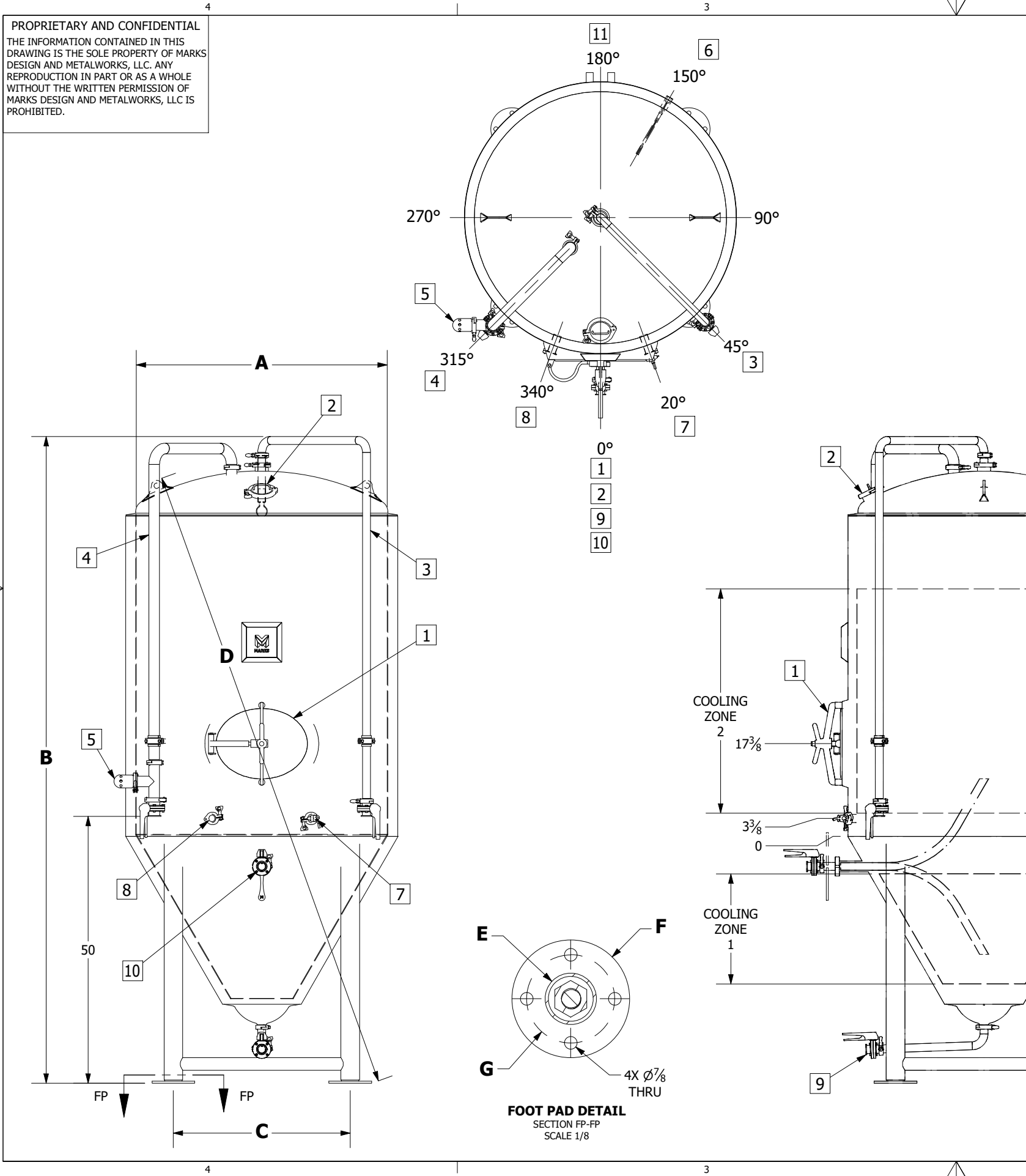


PROPRIETARY AND CONFIDENTIAL
 THE INFORMATION CONTAINED IN THIS DRAWING IS THE SOLE PROPERTY OF MARKS DESIGN AND METALWORKS, LLC. ANY REPRODUCTION IN PART OR AS A WHOLE WITHOUT THE WRITTEN PERMISSION OF MARKS DESIGN AND METALWORKS, LLC IS PROHIBITED.



DIMENSIONS										
BBL	A	B	C	D	E	F	G	WEIGHT (EMPTY)	WEIGHT (WORKING)	WEIGHT (FULL)
5	Ø31"	92-3/4"	21-13/16"	90-1/2"	Ø3-1/2"	Ø8"	Ø6"	800 LBS	2,100 LBS	2,400 LBS
7	Ø36"	97-3/4"	25-3/8"	96"	Ø3-1/2"	Ø8"	Ø6"	950 LBS	2,800 LBS	3,300 LBS
10	Ø39"	113-1/8"	27-1/2"	111-1/16"	Ø3-1/2"	Ø8"	Ø6"	1,100 LBS	3,700 LBS	4,400 LBS
15	Ø47"	121-3/16"	33-1/8"	120"	Ø3-1/2"	Ø8"	Ø6"	1,400 LBS	5,250 LBS	6,300 LBS

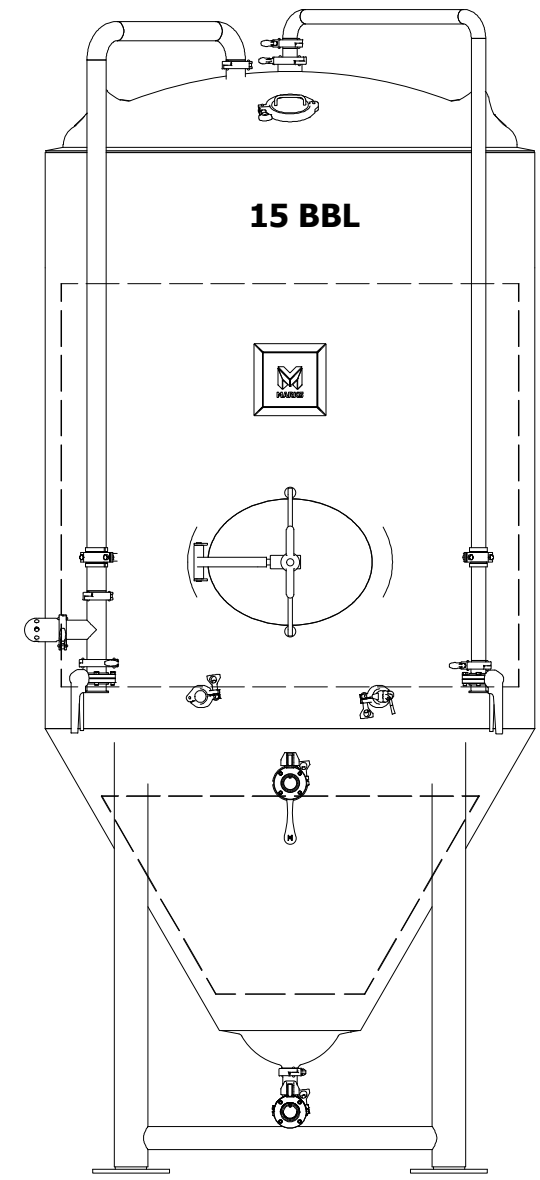
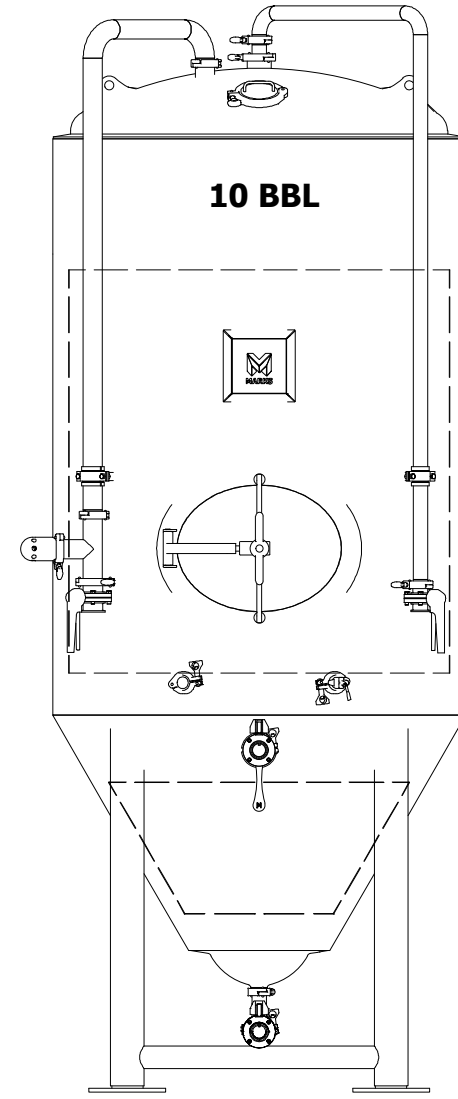
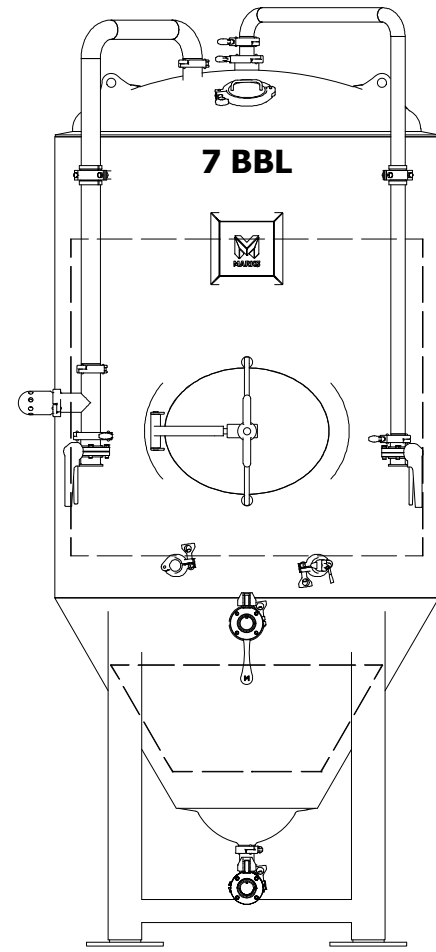
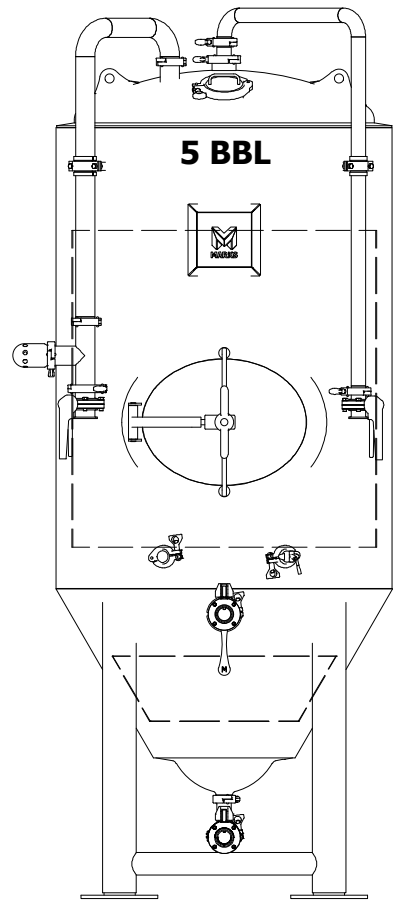
REVISION HISTORY				
REV	DESCRIPTION	DATE	REV ID	APPROVED
A	INITIAL		D.G.	

FEATURES							
IDENTIFIER	SERVICE	QTY	LOCATION	NECK SIZE	NECK TYPE	CONNECTION SIZE	CONNECTION TYPE
1	MANWAY	1	SHELL SIDEWALL	17" X 21"	OVAL	N/A	N/A
2	DRY HOP	1	TOP HEAD	4"	TUBE	4"	TC
3	CIP	1	TOP HEAD	1-1/2"	TUBE	1-1/2"	TC
4	CO2	1	SHELL SIDEWALL	1-1/2"	TUBE	2"	TC
5	PVRV	1	CO2 DOWNTUBE	2"	N/A	2"	TC
6	THERMOWELL	1	SHELL SIDEWALL	1"	PIPE	1/2"	FNPT
7	SAMPLE	1	SHELL SIDEWALL	1-1/2"	TUBE	1-1/2"	TC
8	CARB	1	SHELL SIDEWALL	1-1/2"	TUBE	1-1/2"	TC
9	DRAIN	1	BOTTOM DISH	1-1/2"	TUBE	1-1/2"	TC
10	RACKING ARM	1	SHELL CONE	2"	TUBE	1-1/2"	DIN X TC
11	GLYCOL	2/ZONE	JACKET	1"	PIPE	1"	MNPT


UNLESS OTHERWISE SPECIFIED:		NAME	DATE
DIMENSIONS ARE IN INCHES		AUTHOR	D.GUTHRIE
TOLERANCES		CHECKED	
Fractional: 1/8"		ENG APPR.	
Angular ±1° Bend ±2°		MFG APPR.	
1 Decimal (x): ±0.1"		Q.A.	
2 Decimal (0x): ±0.03"		COMMENTS:	
3 Decimal (.00x): ±0.005"			
MACHINE FINISH	PROJECTION		
MATERIAL:			
FINISH:			
DO NOT SCALE DRAWING			

TITLE: SINGLE RING FERMENTING VESSEL		S/N#
DSC: 1 RING SERIES WITH SIDE/OVAL MANWAY		SIZE B
DWG. D100005 - D100015		REV A
SCALE: DO NOT SCALE	WEIGHT: N/A	SHEET 1 of 2

PROPRIETARY AND CONFIDENTIAL
 THE INFORMATION CONTAINED IN THIS
 DRAWING IS THE SOLE PROPERTY OF MARKS
 DESIGN AND METALWORKS, LLC. ANY
 REPRODUCTION IN PART OR AS A WHOLE
 WITHOUT THE WRITTEN PERMISSION OF
 MARKS DESIGN AND METALWORKS, LLC IS
 PROHIBITED.



*COOLING ZONES SHOWN WITH HIDDEN LINES

UNLESS OTHERWISE SPECIFIED:		NAME	DATE					
DIMENSIONS ARE IN INCHES		AUTHOR	D.GUTHRIE					
TOLERANCES		CHECKED						
Fractional: 1/8"		ENG APPR.						
Angular ±1° Bend ±2°		MFG APPR.						
1 Decimal (x): ±0.1"		Q.A.		TITLE: SINGLE RING FERMENTING VESSEL	S/N#			
2 Decimal (.0x): ±0.03"		COMMENTS:		DSC.	SIZE B			
3 Decimal (.00x): ±0.005"				DWG.	REV			
MACHINE FINISH	PROJECTION			D100005 - D100015		SCALE:	WEIGHT:	SHEET
				DO NOT SCALE	N/A	2 of 2		
MATERIAL:								
FINISH:								